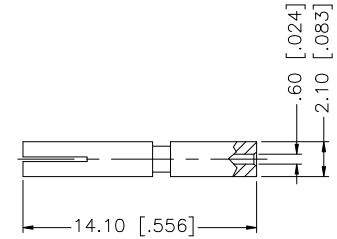
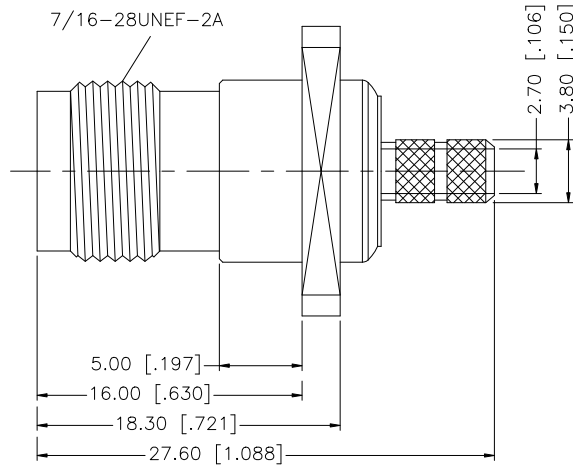
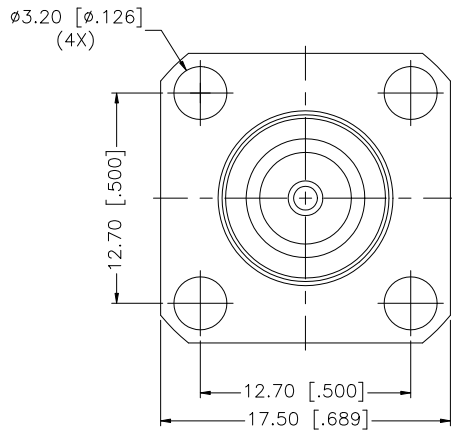
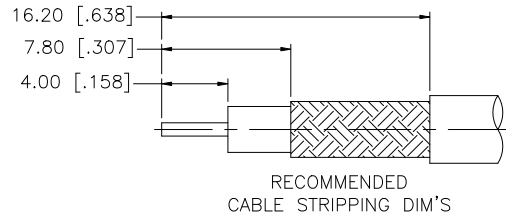
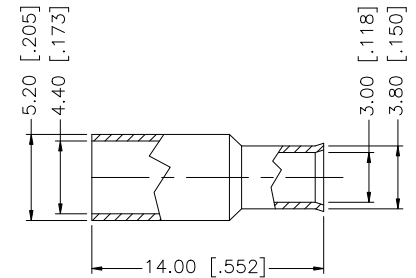
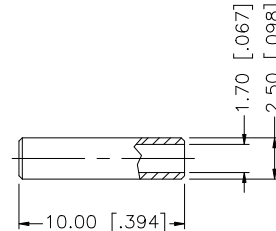
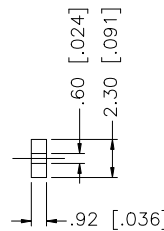


REV.	DATE	ECR NO.	DESCRIPTION
NC	09/29/04	-	INITIAL RELEASE
A	12/28/08	-	DESIGN CHANGE - ADD INSULATOR



NOTE:

1. CRIMPED FERRULE HEX CRIMP SIZE .178" [4.52]
2. CRIMPED CONTACT PIN HEX CRIMP SIZE .068" [1.73]



DESCRIPTION	MATERIAL	FINISH	QTY
8			
7			
6	FERRULE	COPPER	NICKEL 1
5	SLEEVE	BRASS	NICKEL 1
4	INSULATOR	PTFE	NATURAL 1
3	CONTACT PIN	BER. COPPER	GOLD 1
2	INSULATOR	DELIRIN	NATURAL 1
1	BODY	BRASS	NICKEL 1

UNLESS OTHERWISE SPECIFIED DIMENSIONS ARE IN MILLIMETERS. DIMENSIONS IN [] ARE IN INCHES AND FOR CUSTOMER REFERENCE ONLY.

UNLESS OTHERWISE SPECIFIED TOLERANCES FOR MILLIMETERS ARE:
0.5 - 8mm ± 0.20mm
8 - 30mm ± 0.40mm
30 - 120mm ± 0.50mm

UNLESS OTHERWISE SPECIFIED TOLERANCES FOR INCHES ARE:
.020 - .315 = ± 0.007"
.315 - 1.180 = ± 0.015"
1.180 - 4.724 = ± 0.020"

DO NOT SCALE DRAWING

APPROVALS	DATE
DRAWN GRS	12/28/08
CHECKED	
ISSUED	
SHEET 1 OF 1	
CAD FILE	C:/122/122246.DWG

PART DESCRIPTION			
Amphenol Connex			
TNC PANEL CRIMP JACK (RG-174/U, 188A/U, 316/U)			
PART NO. 122246			
DWG. NO.	122246.DWG	REV.	A
SIZE	A	SCALE	NA

Mouser Electronics

Authorized Distributor

Click to View Pricing, Inventory, Delivery & Lifecycle Information:

[Amphenol:](#)

[122246](#)